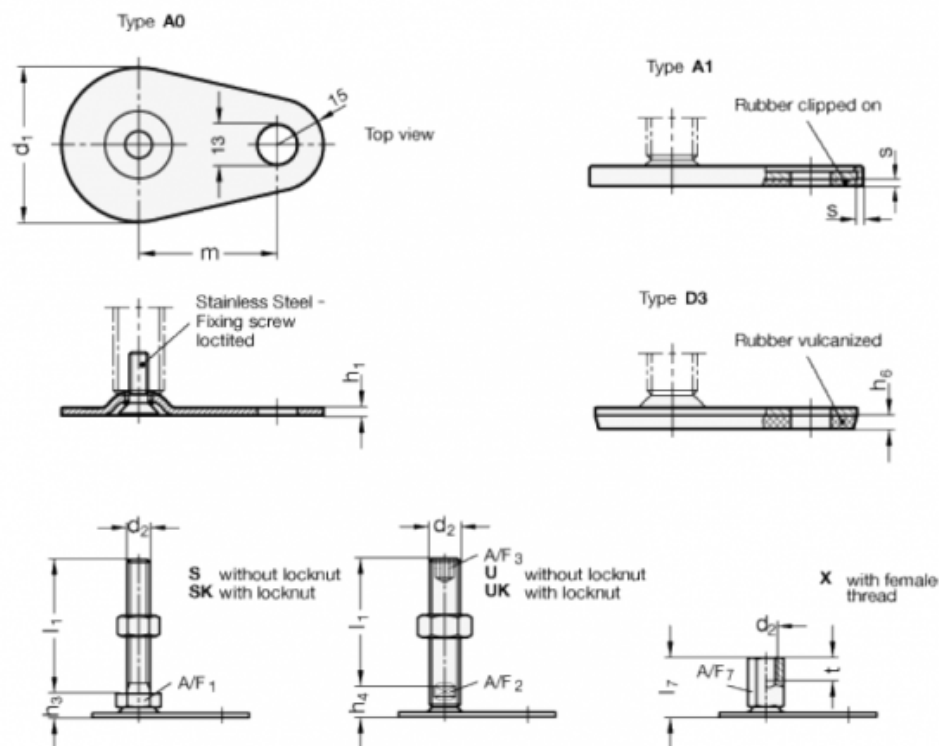


Article number: 204280M20125A1U

Description: E+G levelling foot  
GN 42-80-M20-125-A1-U

Note: U Without nut, Hexagon socket at the top, Wrench flat at the bottom

## Measures



A/F2 = 15	m = 70
A/F3 = 10	s = 2
d1 = 80	
d2 = M20	
h1 = 3	
h4 = 18	
h6 =	
l1 = 125	